

COMEUP WINCH

Model: SOLO 9.5rs TE

PN: 291663 12V DC
291689 12V DC

Introduction

► Feature

- Line pull: 4,309 kg / 9,500 lb synthetic rope first layer
- Synthetic rope: 10 mm × 30.5 m (3/8"×100')
- Brake: Patented cone brake holds full load
- Clutch: Turn the T-handle for rapid rope payout
- Control: Both handheld pendant switch and built-in digital two ways wireless transmitter power the winch

► Unpacking

- Winch assembly..... 1 pc
- Control box..... 1 pc
- Remote control..... 1 pc
- Synthetic rope with BossHook M..... 1 pc
- Hawse fairlead..... 1 pc
- 1.8 m (6') 2 gauge battery lead..... 1 pc
- Wireless transmitter..... 1 pc

► Read this manual carefully

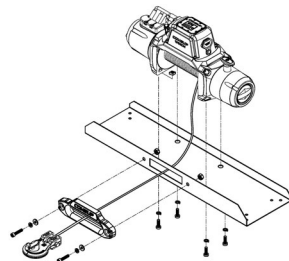
You should carefully read and understand this manual before operating it. Careless winch operation may result in personal injury hazards or property damage.

Installation

Before using the winch, make sure all electrical components have no corrosion or damaged; the environment should be clear and dry.

► Winch and hawse fairlead mountings

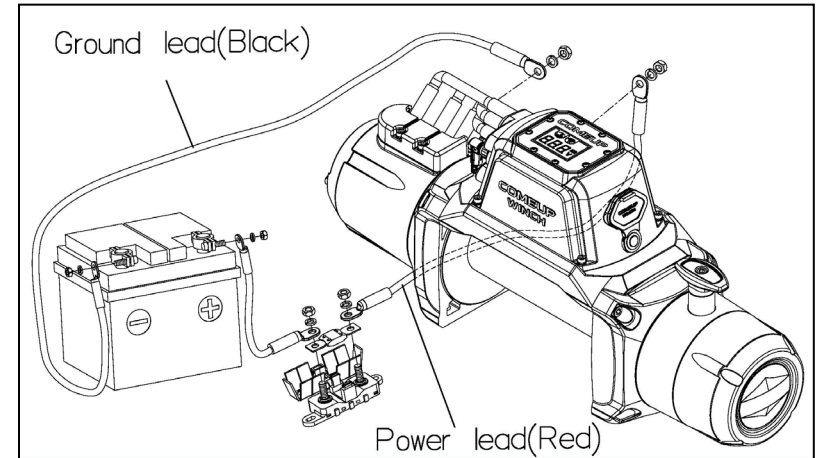
- It is very important that the winch will be mounted on a flat and hard surface of mounting channel in order to make sure the motor, drum and gearbox housing are aligned correctly.



- Hawse fairlead does not mount to the winch directly.
- The synthetic rope shall be wound in an under-wound orientation only.
- Four (4) M10 x 1.50 pitch 10.9 grade with 63.8 N-m torque settings (maximum) high tensile steel bolts must be used in order to sustain the loads imposed on the winch mounting.
- Two (2) M10 x 1.50 pitch stainless steel bolts must be used for fastening the hawse fairlead into the mounting channel.

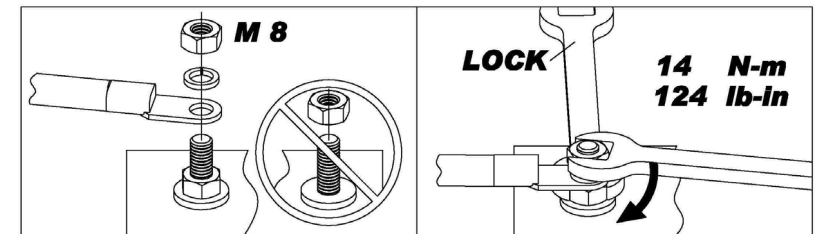
► Wiring Diagram

- Attach the ground lead firmly to the negative (-) battery terminal and power lead to the positive (+) battery terminal. The voltage drop for the winch motor must not exceed 10% of the nominal voltage of 12V DC.



► Nut fastening for motor & contactor

1. Holding the lower nut on the stub and fastening the upper nut clockwise.
2. The torque setting for nut is 14 N-m/124 lb-in.



Warning

- The winch is not intended to be used in any manner for the movement or lifting of personnel.

- The rated line pull shown is based on the first layer of rope on the drum.
- The rope winding on the drum shall remain 10 wraps from the drum to support the rated load.
- Manufacturer is not responsible for the results of misuse, misapplication, faulty installation or abuse of synthetic rope in any way.

Parts List

Item No.	Description	Part No.	Qty
1	Waterproof motor w/housing 12V	883882	1
2	Tie bar kit	883883	2
3	Motor coupling	880005	1
4	Drum bushing	880006	2
5	Drum kit	881521	1
6	Gearbox support rack	883884	1
7	Grounding lead	880009	1
8	Synthetic rope	883248	1
9	1 st shaft	880011	1
10	3 rd ring gear kit	884310	1
11	3 rd stage carrier	880115	1
12	2 nd stage carrier	880116	1
13	1 st stage carrier	880117	1
14	1 st & 2 nd ring gear	880118	1
15	1 st pinion	880119	1
16	Clutch kit	883885	1
17	Gear box kit	882524	1
18	Cone brake disc kit	880122	1
19	Brake cover kit	883886	1
20	Hawse fairlead	883410	1
21	Mounting hardware	884311	1
22	Remote control	883887	1
23	Handsaver strap	880026	1
24	Bridge Control box 12V	884391	1
24-1	Control pack 12V	883889	1
24-2	Remote socket kit 12V	883890	1
24-3	PC board kit	883891	1
24-4	On/Off switch kit	884091	1
24-5	Power lead	883893	1
24-6	Motor thermal connector	883894	1
24-7	Wireless transmitter	883822	1
24-8	High Current Fuses kit	884104	1
25	Brake clutch base	881100	1
26	BossHook M	884343	1

Winch Assembly

