

COMEUP WINCH

Model: *DV-4500i*

PN: 641656 12V DC 641504 12V DC 642037 24V DC 641526 12V DC
642015 24V DC 641624 12V DC 642172 24V DC

Introduction

► Feature

Line pull: 2,041 kg / 4,500 lb wire rope first layer
Wire rope; 6.3 mm galvanized aircraft A7 × 19
Brake: Mechanical and dynamic brakes hold full load
Clutch: Raise the clutch level for rapid wire rope payout
Control: Handheld pendant switch powers the winch

► Unpacking

- Integrated solenoid kit..... 1 pc
- Remote control..... 1 pc
- Wire rope with hook 6.3 mm x 15.2 m (1/4" x 50')..... 1 pc
- Wire rope with hook 5.6 mm X 18 m (7/32"X59') for PN:641504.....1 pc
- Wire rope with hook 6.3 mmX 10 m (1/4"X33') for PN:641526..... 1 pc
- Roller fairlead..... 1 pc
- 1.5 m battery leads..... 1 pc
- Circuit breaker..... 1 pc

► Read this manual carefully

You should carefully read and understand this manual before operating it. Careless winch operation may result in personal injury hazards or property damage.

► Information requesting or parts ordering

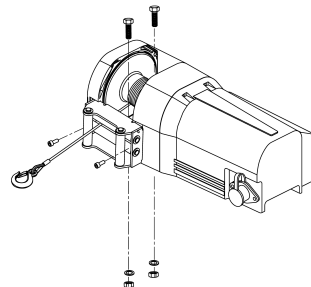
Please specify the followings information:

- Winch PN
- Part description
- Serial number
- Replacement part number
- Quantity for each part

Installation

Before using the winch, make sure all electrical components have no corrosion or damaged; the environment should be clear and dry.

The voltage drop must not exceed 10% of the nominal voltage of 12V or 24V under normal operation condition.

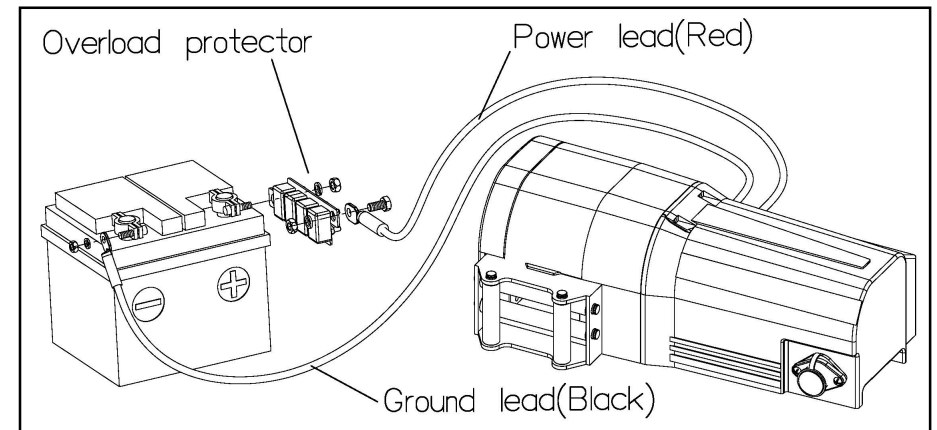


► Winch and roller fairlead mounting

- Use the mounting hardware supplied to mount the winch on a flat surface.
- The motor, drum and gear housing must be properly aligned.

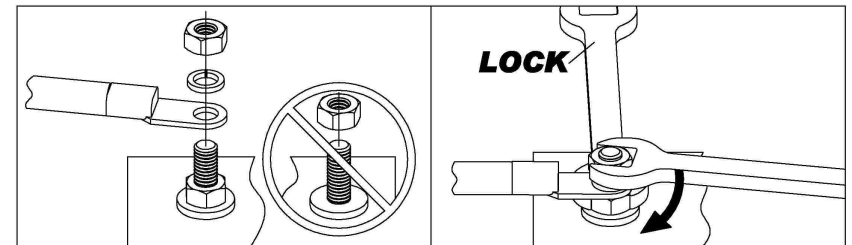
► Wiring Diagram

- Attach the ground lead firmly to the negative (-) battery terminal and power lead to the positive (+) battery terminal. The voltage drop for the winch motor must not exceed 10% of the nominal voltage of 12/24V DC.
- Attach the red lead, positive (+), tightly to the circuit breaker marked AUX, meanwhile, connect the copper plate to the other end of the circuit breaker marked BAT.
- Connect the copper plate to the connector of the battery.



► Nut fastening for motor & solenoid

1. Holding the lower nut on the stub and fastening the upper nut clockwise.
2. The torque setting for motor nut M6 is 5.7 N-m / 50 lb-in and solenoid nut M8 is 14 N-m / 124 lb-in.



Warning

- The winch is not intended to be used in any manner for the movement or lifting of personnel.
- The pulling capacity shown is based on the wire rope first layer on the drum.
- The rope winding on the drum shall remain 5 wraps from the drum.

Parts List

Item No.	Description	Part Number	Qty
1	Rear cover	880136	1
2	Remote socket kit	880137	1
3	Motor kit, 12V	880301	1
	Motor kit, 24V	880302	
4	Brake kit	880280	1
5	Gear box kit	880281	1
6	Ring gear	880141	1
7	1 st stage carrier	880283	1
8	2 nd stage carrier	880284	1
9	3 rd stage carrier	880285	1
10	Drum kit	880286	1
11	Base plate kit	881284	1
12	Clutch kit	880287	1
13	Wire rope w/hook	880305	1
	Wire rope w/hook for PN:641504	881753	
	Wire rope w/hook for PN:641526	882527	
14	Roller fairlead	880289	1
15	Mounting hardware	880290	1
16	Solenoid pack, 12V	880291	1
	Solenoid pack, 24V	880292	
17	Circuit breaker kit, 12V	880303	1
	Circuit breaker kit, 24V	880300	
18	Remote control	880295	1
	Remote control for PN:641504	882526	
19	Handsaver strap	880026	1

Winch Assembly

