

OMSU-200 205 bar  
PN: 681930 Std. drum  
681940 Long drum

### Introduction

#### ► Feature

Rated line lift:	1,900 kg ( 4,190 lb ) single line at the top layer of rope
Line speed :	46.4 mpm / 153 fpm single line at the top layer of rope
Operation pressure:	205 bar ( 2,973 psi )with maximum back pressure on return line of 5 bar
Brake:	Multi-disc brake and counterbalance valve providing full 100% braking
Recommended wire rope:	12 mm ( 1/2" ) x 48 m ( 157' ) for std. drum
	12 mm ( 1/2" ) x 82 m ( 269' ) for long drum
	1,960 N/mm <sup>2</sup> grade a minimum breaking strength of 100 KN required
Hydraulic system:	PTO/power take off unit driven pump

#### ► Unpacking

- Assembly..... 1pc
- Counterbalance valve..... 1pc

#### ► Read this manual carefully

You should carefully read and understand this manual before operating it. Careless operation may result in personal injury hazards or property damage.

#### ► Information requesting or parts ordering

Please specify the followings information:

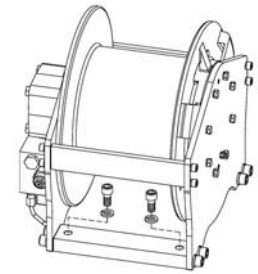
- PN
- Part description
- Serial number
- Replacement part number
- Quantity for each part

### Installation

Before using the winch, make sure all components have no corrosion or damaged; the environment should be clear and dry.

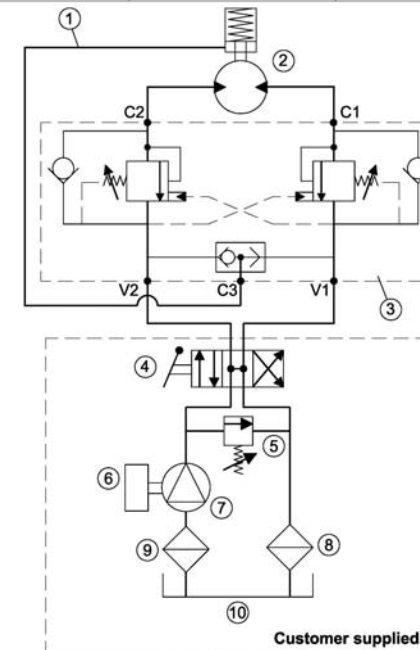
#### ► Mounting

- Hoist shall be mounted on a flat and hard surface.
- Hoist should be mounted as closed to center and as perpendicular as possible to the direction of the line pull.
- Wire rope shall be wound in an under-wound orientation only.
- Four (4) M12 , 8.8 grade w/76 N-m torque setting (maximum) high tensile steel bolts must be used in order to sustain the loads imposed on the winch mounting.



#### ► Hydraulic System

V1 Lowering branch	V2 Hoisting branch	C3 Connection to brake
① Brake	② Hoist	③ Two-way counter balance valve
④ Control valve	⑤ Pressure relief valve	⑥ PTO electro control box
⑦ Hydraulic pump	⑧ Return filter	⑨ Suction filter
⑩ Oil tank		



( Powered by PTO / power take off unit driven pump )

The installation of the counterbalance valve supplied is required for 100% braking

## Warning

- The rated line pull and speed are based on the first layer of rope on the drum.
- The rope winding on the drum shall remain 5 wraps from the drum.

## Warranty

Comeup Industries Inc. takes the responsibility for all parts and components to be free from defects in materials and workmanship appearing under normal use for one year from the date of purchase.

## Parts List

Item No.	Description	Part No.	Qty
1	Hydraulic motor kit for OMSU-200	882899	1
2	Motor fix plate kit	882903	1
3	Multi-disc brake kit	882905	1
4	Drum bushing	882931	2
5	Metallic gasket	882932	2
6	Drum kit, for std.	882909	1
	Drum kit, for long	882910	
7	Thimble	882934	1
8	1 <sup>st</sup> pinion kit, for std. drum	882911	1
	1 <sup>st</sup> pinion kit, for long drum	882912	
9	1 <sup>st</sup> ring gear kit	882913	1
10	Gearbox fix plate kit	882914	1
11	Base plate kit, for std. drum	882915	2
	Base plate kit, for long drum	882916	
12	Tie bar kit, for std. drum	882917	2
	Tie bar kit, for long drum	882918	

## Assembly

