

## Compact Winch Model: **CWL-80**

PN: 375000 230V  
375003 240V  
374860 110V

### Introduction

#### ► Feature

Lifting capacity:	80 kg wire rope top layer
Lifting height:	23 m
Lifting speed:	16 – 25 m/min
Motor output:	0.3kw x 6A at 100-120V; 0.3kw x 3A at 220-240V
Brake:	Dynamic and mechanical brakes hold full load
Control:	Pendant switch powers the winch

#### ► Unpacking

• Winch assembly	1pc
• Wire rope 4 mm x 24 m with weight hook CHW-0031	1pc
• Pendant switch PB-317A w/cord 1.25mm <sup>2</sup> x 6C x 3m	1pc
• Power lead 1.5 mm <sup>2</sup> x 3C x 3 m and plug	1pc

#### ► Read this manual carefully

You should carefully read and understand this manual before operating it. Careless winch operation may result in personal injury hazards or property damage.

#### ► Information requesting or parts ordering

Please specify the followings information:

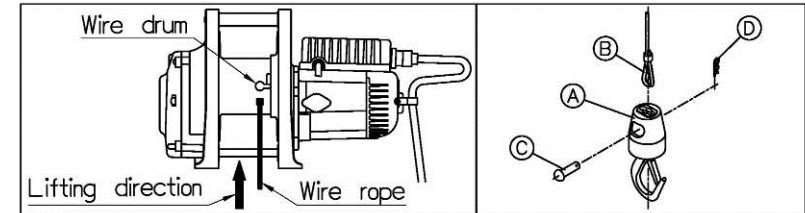
- Winch PN
- Serial number
- Part description
- Replacement part number
- Quantity for each part

### Installation

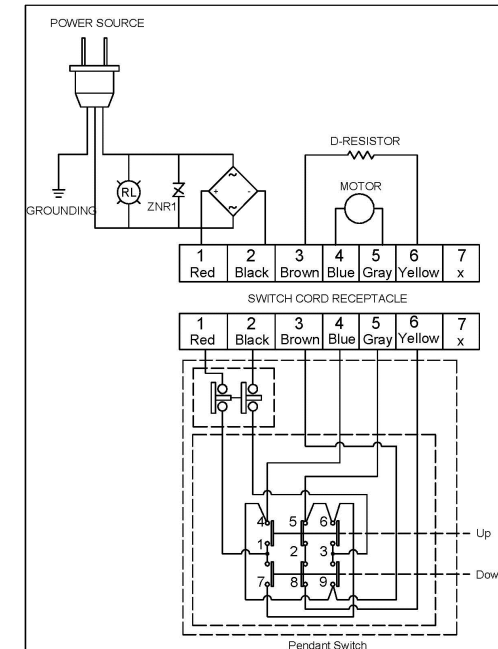
Before using the winch, make sure all electrical components have no corrosion or damaged; the environment should be clear and dry.

#### ► Wire rope replacement

- Insert the wire rope into the hole of drum and fix it with a P. T. screw, then press the "UP" button of switch for rotate the drum in the lifting direction.
- Wind the wire rope accurately around the drum, and a irregular winding will cause the load to be swing, thus damaging the wire and reducing the life of winch.
- When replacing, according to the following procedures.
  - \*Pull out a R-dowel "D" from the round head pin "C".
  - \*Pull out a round head pin "C" from hook body "A".
  - \*Put a wire rope "B" into the hole of hook body "A", and insert a round head pin "C" through wire rope and fixture hole of hook body "A".
  - \*Insert a R-dower "D" into the hole of round head pin "C".



#### ► Wiring Diagram



## Warning

- The winch is not intended to be used in any manner for the movement or lifting of personnel.
- The lifting capacity shown is based on the top layer of rope on the drum.
- The rope winding on the drum shall remain 5 wraps from the drum.

## Parts List

Item No.	Description	Part No.	Qty
1	Gearbox rear cover kit	880520	1
2	Ratchet stopper kit	880547	2
3	Balance indicator	880522	1
4	1 <sup>st</sup> shaft kit	880523	1
5	2 <sup>nd</sup> gear kit	880524	1
6	Brake kit	881496	1
7	Tie bar kit	880527	1
8	Tie bar kit A	880528	2
9	Gearbox support rack kit	880531	1
10	Output shaft kit	880532	1
11	Drum kit	880533	1
12	Motor support rack kit	880534	1
13	Motor coupling	881495	1
14	Motor kit 100-120 V	880540	1
	Motor kit 220-240 V	880541	1
15	Terminal upper cover	880535	1
16	Control panel w/ 3-round pins lead, 100-120V	880573	1
	Control panel w/ 3-round pins lead, 220-240V	880574	1
17	Remote control , PB-317A	881603	1
18	Lower plate	880536	1
19	Wire rope	880449	1
20	Weight hook	880384	1
21	P type hanger kit	881574	1

## Winch Assembly

