

### Introduction

#### ► Feature

- Lifting capacity: 200 kg wire rope top layer
- Lifting height: 45 m
- Lifting speed: 11 – 16 m/min
- Motor output: 1.5kw x 7.5A at 220-240V
- Brake: Electromagnetic and mechanical ratchets
- Control: Pendant switch powers the winch

#### ► Unpacking

- Winch assembly 1pc
- Wire rope 5 mm x 46 m with weight hook CHW-0031 1pc
- Power lead 1.5 mm<sup>2</sup> x 3C x 3 m and plug 1pc
- Pendant switch PB-417 w/cord 1.25 mm<sup>2</sup> x 6C x 10 m 1pc

#### ► Read this manual carefully

You should carefully read and understand this manual before operating it. Careless winch operation may result in personal injury hazards or property damage.

#### ► Information requesting or parts ordering

Please specify the followings information:

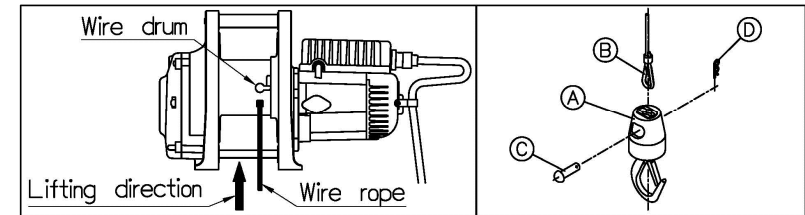
- Winch PN
- Serial number
- Part description
- Replacement part number
- Quantity for each part

### Installation

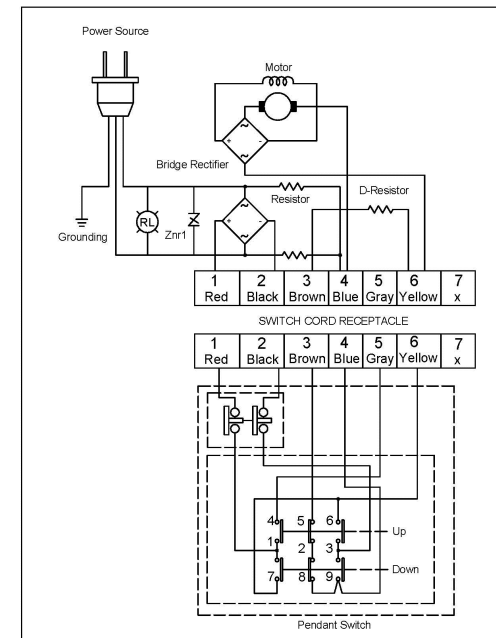
Before using the winch, make sure all electrical components have no corrosion or damaged; the environment should be clear and dry.

#### ► Wire rope replacement

- Insert the wire rope into the hole of drum and fix it with a P. T. screw, then press the "UP" button of switch for rotate the drum in the lifting direction.
- Wind the wire rope accurately around the drum, and an irregular winding will cause the load to be swing, thus damaging the wire and reducing the life of winch.
- When replacing, according to the following procedures.
  - \*Pull out a R-dowel "D" from the round head pin "C".
  - \*Pull out a round head pin "C" from hook body "A".
  - \*Put a wire rope "B" into the hole of hook body "A", and insert a round head pin "C" through wire rope and fixture hole of hook body "A".
  - \*Insert a R-dowel "D" into the hole of round head pin "C".



#### ► Wiring Diagram



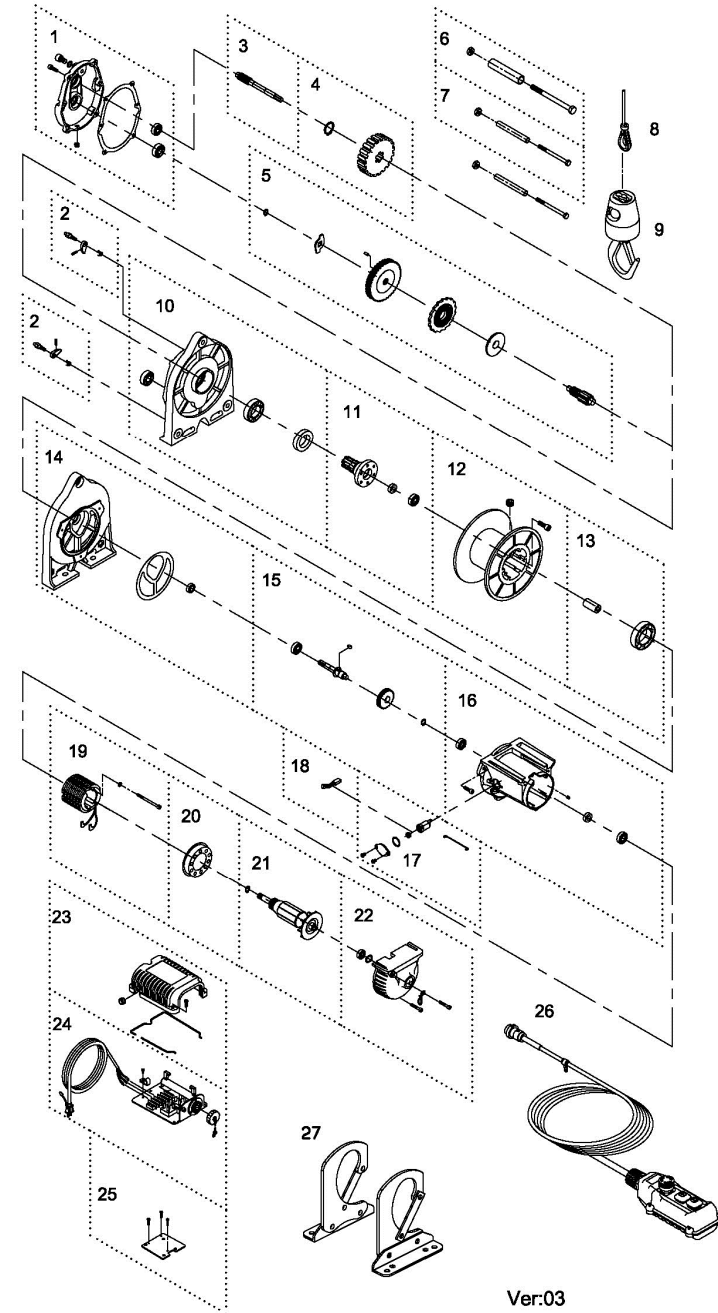
## Warning

- The winch is not intended to be used in any manner for the movement or lifting of personnel.
- The lifting capacity shown is based on the top layer of rope on the drum.
- The rope winding on the drum shall remain 5 wraps from the drum.

## Parts List

Item No.	Description	Part No.	Qty
1	Gearbox rear cover kit	880546	1
2	Ratchet stopper kit	880547	2
3	2 <sup>nd</sup> shaft	880548	1
4	3 <sup>rd</sup> gear kit	880549	1
5	Brake kit	881516	1
6	Tie bar kit	880552	1
7	Tie bar kit A	880553	2
8	Wire rope	880554	1
9	Weight hook	880384	1
10	Gearbox support rack kit	880555	1
11	Output shaft kit	880556	1
12	Drum kit	881518	1
13	Motor coupling kit	881515	1
14	Motor support rack kit	880558	1
15	Torque shaft kit	881517	1
16	Motor housing kit	880561	1
17	Carbon brush holder kit	880472	1
18	Carbon brush	880563	2
19	Armature core, 220/230 V	880976	1
	Armature core, 240 V	880977	1
20	Cooling cover	880564	1
21	Armature winding, 220/230 V	880518	1
	Armature winding, 240 V	880519	1
22	Motor rear cover kit	880566	1
23	Terminal upper cover	880535	1
24	Control panel w/lead & 3 flat pins	881233	1
	Control panel w/lead & 3 round pins	881232	1
25	Lower plate	880567	1
26	Remote control , PB-417	883145	1
27	P type hanger kit	881574	1

## Winch Assembly



Ver:03