



Electric Grooved Winch

Model: **CEP-1000-8MD**

P/N: 278880 380V60Hz 278850 380V50Hz

► Feature

Lifting Capacity	1,000 kg, double fall load
Power Source	3 phase 60 Hz / 50HZ 380V
Motor	2 hp x 4 p
Drum	Grooved
Wire Rope	8 mm x 22 m
Lifting Height	9 m
Lifting Speed	7.5 m/min , double fall load
Brake	Electromagnetic spring-applied failsafe brake
Control	Pendant switch w/cord 2.0 mm ² x 5C x 3 m

► Read this manual carefully

You should carefully read and understand this manual before operating it. Careless winch operation may result in personal injury hazards or property damage

► Warning

- The winch is not intended to be used in any manner for the movement or lifting of personnel.
- The lifting capacity shown is based on single fall rope on the drum.
- The rope winding on the drum shall remain 3 wraps from the drum.

► Information requesting or parts ordering

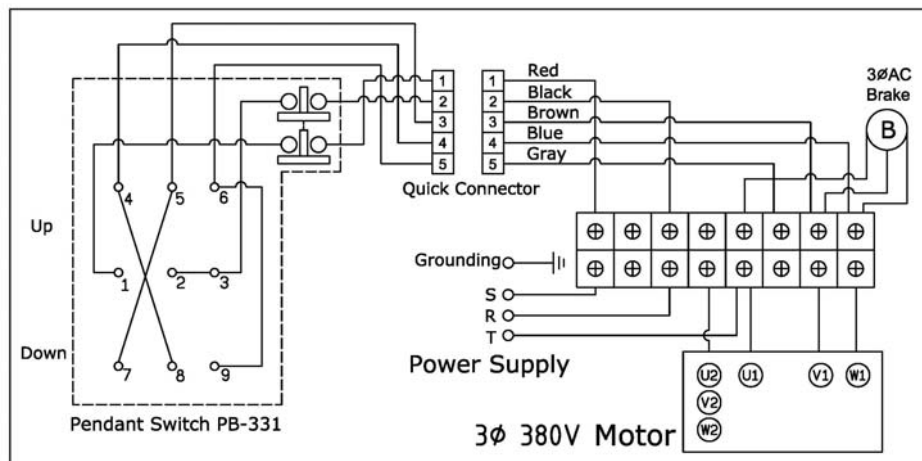
Please specify the followings information:

- Winch PN
- Serial number
- Part description
- Replacement part number
- Quantity for each part

► Maintenance and Inspection

Classification of checks				Checking Item	Checking Method	Checking Reference	
Daily	Periodical						
	One month	Three month	One year				
			☉	Marking	Label and the like	Visual	Existence of label
		☉		Installation	Winding-in direction of wire rope	Visual , measuring	Fleet angle θ=within 3.0 degree
		☉			Loosing and centre run-out foundation	Checking of installing bolts	Existence of abnormality
☉				Control Switch	Working	Manual	Reasonable actuation
	☉				Condition of clamping of wiring	Decomposition checking	Confirming of accuracy of fastening condition
		☉			Wearing of contact point	Decomposition checking	To be free from remarkable wearing and damage
		☉			Outer damage of lead	Visual	To be free from exposure of conductive wire
☉	☉				Attaching condition of earth line	Visual	Existence of abnormalities of connecting wires
		☉			Condition of insulation	Measure with 500v insulation-Resistance tester	1MΩ min
			☉		Motor	Condition of insulation	Measure with resistance tester
			☉	Staining damage		Decomposition check	Existence of abnormalities
		☉		Brake	Braking gap	Measuring	Within 0.35 mm
		☉			Wearing of disc	Decomposition check	To be free from remarkable wear and damage
☉	☉				Performance	Visual	Distance to be not more than 1.5% of rope length to be wound-in during 1 minute
			☉	Gear	Damage , wearing	Decomposition check	To be free from remarkable wear and damage
		☉			Condition of grease feeding	Measuring	Existence of suitability of amount and deterioration with grease Mobilux EP2.Shell Unedo 2 or Esso Beacon EP2

► Wiring Diagram



► Parts List

Item No.	Description	Part No.	Qty
1	Induction motor kit 380V,60HZ	880825	1
	Induction motor kit 380V,50HZ	880827	1
2	Control kit	882976	1
2-1	Control box	880957	1
2-2	Remote control	882977	1
3	Motor support rack kit	882002	1
4	Drum kit	882653	1
5	Connect shaft kit	882656	1
6	Gearbox support rack kit	882003	1
7	2 nd stage carrier kit	881663	1
8	1 st stage carrier kit	881664	1
9	Gear box kit	880814	1
10	1 st shaft kit	880815	1
11	Gearbox rear cover kit	882051	1
15	Brake kit AC380V	882044	1
15-1	Brake disc	882046	1
15-2	Brake coil AC380V	882049	1
17	Brake cover kit	880822	1
18	Wire rope	882572	2
19	Base plate kit	882573	1

► Winch Assembly

