



# Easylift Hoist Model: **EL-300**

PN:363200 220V

## Introduction

### ► Feature

Lifting Load:	300 kg
Max.Con Lifting:	30M
Lifting speed:	6.0 m/min
Motor output:	500w x 5.0A
Brake:	brakes for mechanical ratchet pawls and motor dynamic brake
Control:	Pendant switch powers the hoist

### ► Unpacking

• Hoist assembly	1pc
• Wire rope 6.3 mm x 15 m,A7x19	1pc
• Power lead 1.5 mm <sup>2</sup> x 3C x 3 m and plug	1pc
• Pendant switch PB-417 w/cord 1.25 mm <sup>2</sup> x 5C x 10 m	1pc

### ► Read this manual carefully

You should carefully read and understand this manual before operating it. Careless hoist operation may result in personal injury hazards or property damage.

### ► Information requesting or parts ordering

Please specify the followings information:

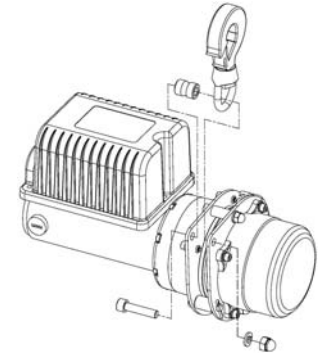
• Hoist PN	• Part description	• Quantity for each part
• Serial number	• Replacement part number	

## Installation

Before using the hoist, make sure all electrical components have no corrosion or damaged; the environment should be clear and dry.

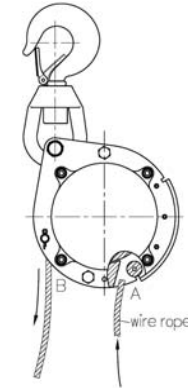
### ► Swivel hoist hook

1. Place the hook into sleeve B in the center of motor support rack and gear support rack.
2. Insert M10x45L screw, M10 spring washer through the sleeve B and fasten with M10 hex cap nut.

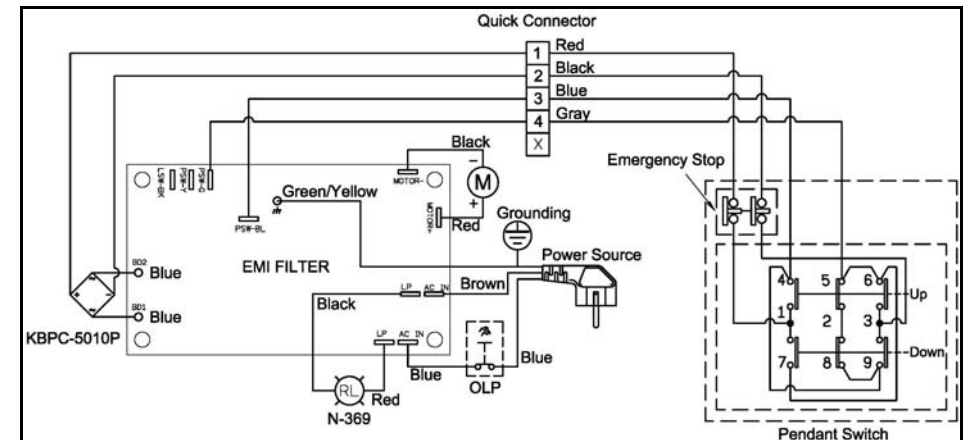


### ► Wire rope

- Insert the wire rope from point A, along with drum and exit from point B.



### ► Wiring Diagram



## Warning

- The winch is not intended to be used in any manner for the movement or lifting of personnel.

## Part List

Item No.	Description	Part No.	Qty
1	Motor kit	883698	1
2	Motor support rack kit	883761	1
3	Brake base kit	883647	1
4	Brake kit	883648	1
5	Ratchet stopper kit	883649	1
6	Motor fix plate kit	883650	1
7	Drum kit	883651	1
8	Swivel hoist hook	883652	1
9	Tie bar kit A	883653	1
10	Tie bar kit B	883654	1
11	Head pin	883655	1
12	Wheel kit	883656	1
13	Guide block kit	883657	1
14	Gearbox fix plate kit	883658	1
15	1 <sup>st</sup> shaft	883659	1
16	3 <sup>rd</sup> stage carrier	883660	1
17	2 <sup>nd</sup> stage carrier	883661	1
18	1 <sup>st</sup> stage carrier	883662	1
19	1 <sup>st</sup> pinion kit	883663	1
20	Gear box kit	883762	1
21	Tie bar kit	883690	1
22	clevis hook	881997	1
23	Lower plate	880536	1
24	Control panel w/lead 3 round pins plug	883703	1
25	Terminal upper cover kit	882415	1
26	Remote control,PB-417	883140	1
27	Wire rope	883704	1
28	wire rope clip	883705	1

## Hoist Assembly

